

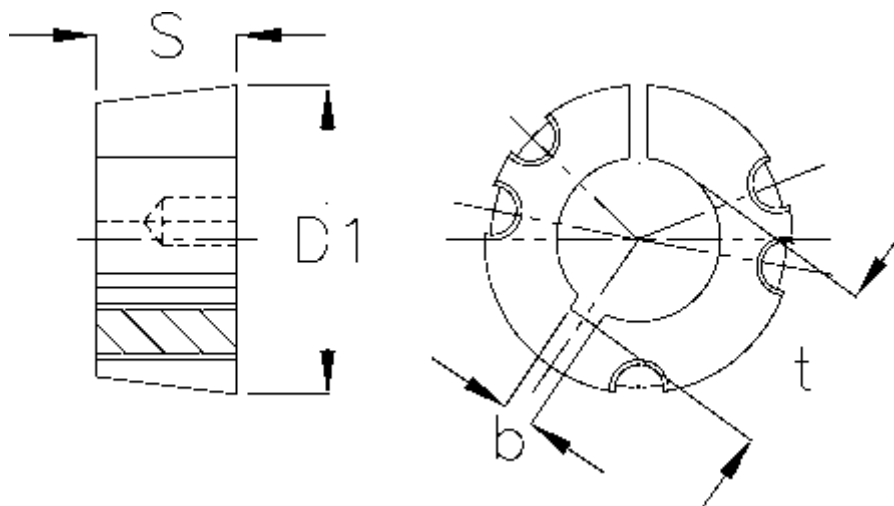
Data Sheet



Article number: 6160404545065

Description: Taper bush 4545 bore $\varnothing 65$ mm

Measures



b	= 18
Bore	= 65
Bush type	= 4545
D1	= 162
S	= 115
Screw size	= 3/4 x 2"
t	= 69.4
Transmission moment	= 12400